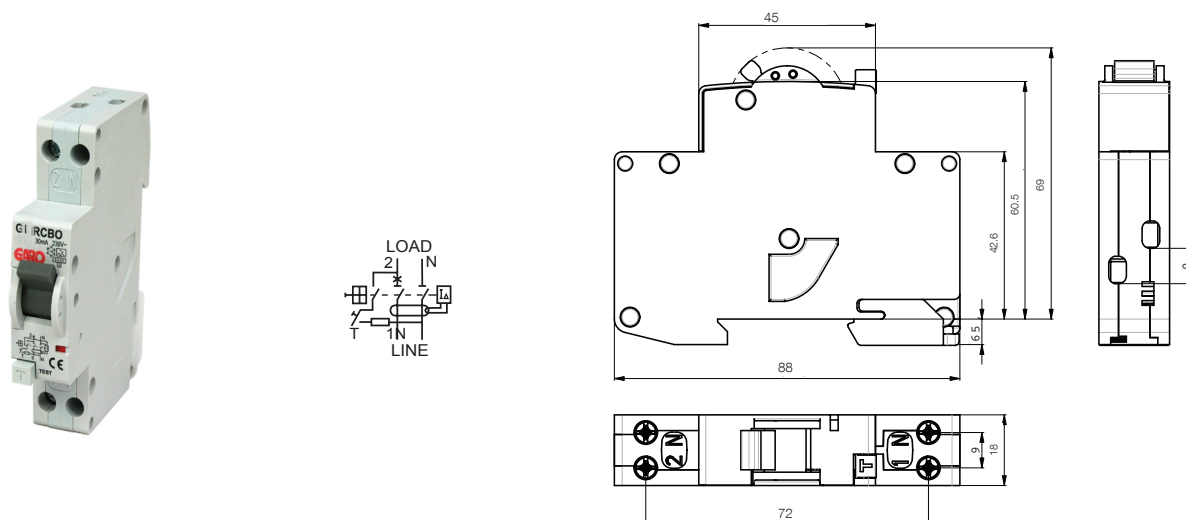


RCBO 6kA 1 module 2-pole B or C - characteristic

Residual current circuit breaker with integral overcurrent protection. It is a 'Type A' RCBO and breaks both the phase and neutral conductors. Operating on voltages from 110V to 230V it is an extremely versatile product and can be utilized in new and existing installations. In existing installations, it allows the installer to keep his original distribution boards, as an MCB can easily be exchanged for an RCBO. There is also a full range of busbar and busbar accessories available, to make even the most challenging retro-fit projects relatively simple.

Part numbers: RCBOGIB..., RCBOGIC...



Technical data

Rated voltage U_n	230V AC
Rated current I_n	6 - 25A
Minimum supply voltage U_{min}	90V
Rated frequency f_n	50 Hz
Rated short-circuit capacity	6 kA
Back-up fuse	100A gG
Tripping characteristic	B, C
Type	A
Rated residual current $I_{\Delta n}$	10, 30, 100 mA
Rated residual making & breaking capacity $I_{\Delta n}$	1500A
Terminals	1-10mm ² , max. 1,5Nm
Width	18 mm
Standards	IEC 61009