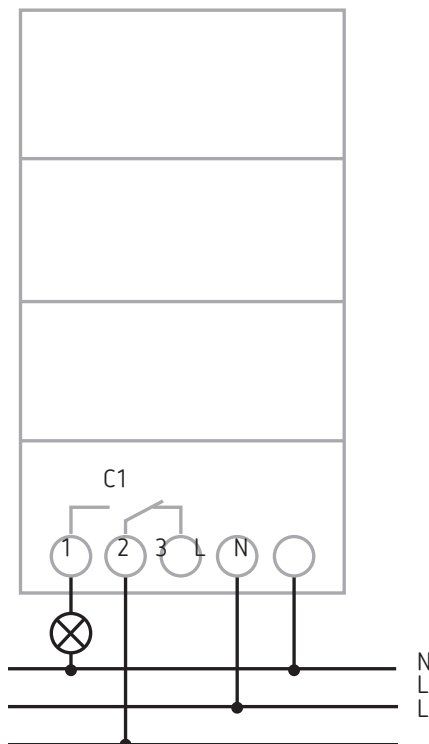


## Timer with Daily Programs

Part numbers: D3MMEK



Operating voltage:	230–240 V AC +10 % / –15 %
Frequency:	50–60 Hz
Power consumption DV1K / DV2K:	max. 0,84/1,13 W
Max switching capacity:	16 A (at 250 V, $\cos \varphi = 1$ )
switching capacity:	4A (at 250 V, $\cos \varphi = 0,6$ )
Min. switching capacity:	10 mA/230 V AC 100 mA/ 24 V AC/DC
Switching output:	switching of choice of phase is permitted
GTR DV1K:	suitable for switching SELV (Safe Extra-Low Voltage)
Shortest switching time:	15 min
Protection rating:	IP 20 in accordance with EN 60529
Protection class:	II in accordance with EN 60730-1 subject to designated installation
Operating temperature:	–20 °C ... +55 °C
Power reserve:	
Time accuracy (typical):	$\pm 1$ s/day (25 °C) synchronised
Rated impulse withstand voltage:	4 kV
Pollution degree:	2
Contact:	Two way switch x 1
Glow lamp load:	1100 W
Halogen lamp load:	1100 W
Fluorescent lamp load: uncorrected:	
Series corrected:	2300 VA
parallel-corrected:	730 VA (80 $\mu$ F)
Compact fluorescent tubes (EVG):	170 W
LED lamps (< 2 W):	30 W
LED lamps (> 2 W < 8 W):	100 W
LED lamps (> 8 W):	120 W



Dokument/document Försäkran om överensstämmelse/ Declaration of conformity		Utgåva datum/edition date 2015-05-04
Avdelning/department Kvalitet/Quality		
Ansvarig/prepared Kent Andersson	Version 4	Sida/page 1 av/of 1

**Manufacturerer/Tillverkare:** GARO AB  
Box 203  
S-335 25 GNOSJÖ  
Sweden

Telephone: +46 (0)370 33 28 00  
Telefax: +46 (0)370 33 28 50

**Agent established within EC/Ombud etablerad inom EG**

Telephone:  
Telefax:

**Agent of equipment/Materielslag:** Electromechanical time switch

**Trade Mark/Varumärke:** GARO

**Type Designation/Typbeteckning:** DV1K, DV2K, ASTRO1K, ASTRO2K, DV1K1M, ASTRO1K1M, D1MMEK, D3MMEK, V3MMEK

**We hereby declare that our product fulfils the requirements of following EC directives/  
Vi intygar härmed att vår produkt uppfyller krav enligt följande EU direktiv:**

- The Low Voltage Directive (LVD) 2014/35/EU / Lågspänningsdirektivet (LVD) 2014/35/EU.**
- Electromagnetic compatibility (EMC) 2014/30/EU / Elektromagnetisk kompatibilitet (EMC) 2014/30/EU.**
- RoHS Directive (RoHS) 2011/65/EU / RoHS direktivet (RoHS) 2011/65/EU.**
- No electromagnetic compatibility (EMC 2014/30/EU) immunity or emission tests are required on the assembly / Produkten innehåller inte elektroniska apparater som påverkas enligt förbehållen enligt direktivet (EMC) 2014/30/EU.**

**The following harmonised standards (latest edition) or technical specifications which comply with good engineering practice in safety matters in force within the EC have been used in the design:/  
Följande harmoniserade standarder (senaste utgåva) eller tekniska specifikationer som uppfyller god säkerhetsteknik praxis inom EG har använts i konstruktionen: EN 60730-1, EN 60730-2-7, EN 50581**

- The equipment confirms completely with the above stated harmonised standards or technical specifications./  
Materielen överensstämmer helt med ovan angivna harmoniserade standarder eller tekniska specifikationer.**

**Or/eller**

- The equipment confirms only partially with the above stated harmonised standards or technical specifications but complies with good practice in safety matters in force within the EC./  
Materielen överensstämmer endast delvis med ovan angivna harmoniserade standarder eller tekniska specifikationer, men uppfyller god säkerhetsteknisk praxis inom EG.**

**We have product surveillance according to CENELEC's harmonised requirements, documents CCA-201.**

GARO AB  
Company/Företag

Sign/Underskrift

2017-02-13  
Date/Datum

Responsible for Technology and standardization/Teknik och standardiseringsansvarig  
Position/Befattning

Kent Andersson  
Sign in printed letters/Namnförtydligande