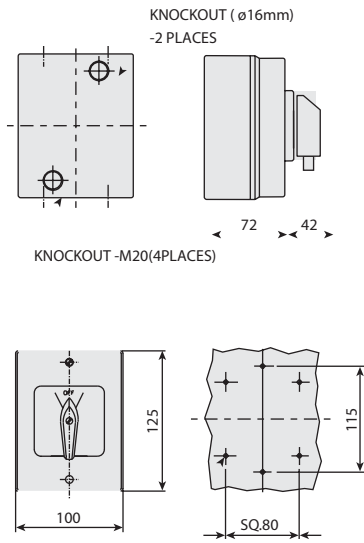


Safety Switch SS

Type: SS332 / 432



Dimensions 25A & 32A



Rated Operational Voltage, Ue

IEC/EN/VDE	Volts	V	690
UL/CSA	Volts	V	600
Main Switch: Isolating Voltage Upto	Volts	V	750
Resistance to Surge Pulse Voltage, Uimp	Volts	kV	6
Rated Uninterrupted Current, Iu	Amp	A	32

Rated Operational Current, Ie

IEC/EN/VDE	AC22	Amp	A	32	
	AC-21A	IEC/EN/VDE	Amp	A	32
	AC-1	Amp	A	40	
UL/CSA		Amp	A	32	

Rated Operational Power at 50 to

IEC/EN/VDE	AC-23A, 3 PHASE, 3 POLE	220-240V	kW	7.5
		380-440V	kW	15
		500-690V	kW	15
IEC/EN/VDE	AC-3, 3 PHASE, 3 POLE	220-240V	kW	5.5
		380-440V	kW	11
		500-690V	kW	11

Short Circuit Capacity (IEC/EN/VDE)

Max. Fuse Size (Type gL)	Amp	A	32
Rated fused short circuit current	Amp	kA	30

DOL	3 PHASE, 3 POLE	120V	HP	3
		240V	HP	7.5
		480V	HP	20
	1 PHASE	600V	HP	25
		120V	HP	2
		240V	HP	3

Short Circuit Capacity (UL/CSA)

Max. Fuse Size	Amp	A	50
Fuse Rating, J Type	Amp	A	45
Rated Fused Short Circuit Current	Amp	kA	10

Terminal Cross Section

Single/Multiple Strand Wire	Min-mm ²	1	
	Max-mm ²	10	
Fine-Strand Wire with Sleeve	Min-mm ²	0.75	
	Max-mm ²	6	
American Wire Gauge	-	AWG	8
Recommended Tightening Torque	-	Nm	1.7



Dokument/document		Utgava datum/edition date
Försäkran om överensstämmelse/ Declaration of conformity		29/06/2016
Avdelning/department Kvalite/Quality		
Ansvarig/prepared Magnus Arvidsson	Version 5	Sida/page 1 av/of 1

Supplier/Tillverkare:

GARO AB
Box 203
S-335 25 GNOSJO
Sweden

Telephone: +46 (0)370 33 28 00
Telefax: +46 (0)370 33 28 50

Supplier established within EU/Ombud etablerad inom EG

Supplier of equipment /Materielslag : Safety Switch IP65

Trade Mark/ Varumärke: GARO

Type Designation / Typbeteckning: SS3/4 20, 25, 32, 40, 63 ,80, 100, 125.

We hereby declare that our product fulfils the requirements of following EC directives/
Vi intygar härmed att vår produkt uppfyller krav enligt följande EU direktiv:

- The Low Voltage Directive (LVD) 2014/35/EU / Lågspänningsdirektivet (LVD) 2014/35/EU.
- Electromagnetic compatibility (EMC) 2004/108/EU / Elektromagnetisk kompatibilitet (EMC) 2004/ 108/EG.
- RoHS Directive (RoHS) 2011/65/EU / RoHS direktivet (RoHS) 2011/65/EG.
- No electromagnetic compatibility (EMC) immunity or emission tests are required on the assembly/
Produkten innehåller inte elektroniska apparater som påverkas enligt förbehållen enligt direktivet
(EMC) 2004/108/EG.

The following harmonised standards (latest edition) or technical specifications which comply with good engineering practice in safety matters in force within the EU have been used in the design:/

Följande harmoniserade standarder (senaste utgåva) eller tekniska specifikationer som uppfyller god säkerhetsteknik praxis inom EG har använts i konstruktionen: EN 62; 69-1.'GP '82; 69/5

- The equipment conforms completely with the above stated harmonised standards or technical specifications./
Materielen överensstämmer helt med ovan angivna harmoniserade standarder eller tekniska specifikationer.

Or/eller

- The equipment confirms only partially with the above stated harmonised standards or technical specifications but complies with good practice in safety matters in force within the EU./
Materielen överensstämmer endast delvis med ovan angivna harmoniserade standarder eller tekniska specifikationer, men uppfyller god säkerhetsteknik praxis inom EG.

We have product surveillance according to CENELEC's harmonised requirements, documents CCA-201.

Garo AB
Company/Företag

2016-06-29
Date/Datum

Sign/Underskrift

Environmental- and Quality Manager/Kvalitets- och Miljöchef
Position/Befattning

Magnus Arvidsson
Name / Namnförtydligande