

COMBINATION UNITS WATERTIGHT 16A IP67 - URBBV416-6S

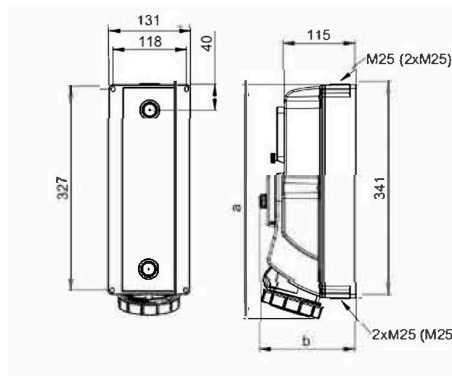


16A 5 Pole - 3 Pole N + E

- Module space for components - 5
- Operating Voltage - 230 - 400 V
- Frequency - 50/60Hz
- Clock Position, colour code - 6 ■

Combination unit with socket outlet in watertight design.
 Cable Connection possible from top and bottom.
 Mechanical Interlock.
 DIN-rail and hinged window for 5 modules.
 Connectable Cable Size: 1-2.5 mm² and for solid cable 1.5-4 mm²
 Degree of protection IP67.

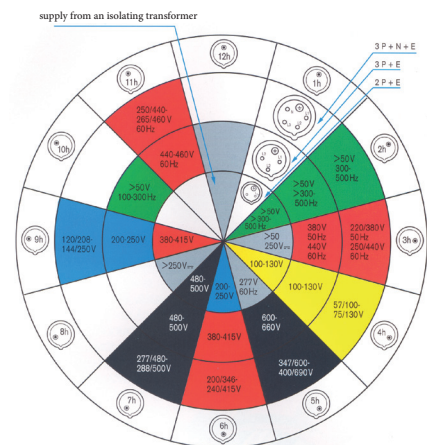
PRODUCT MEASUREMENTS



In	Poles	a	b	M	Weight kg
16A	5	363	153	3x25	1540g

Our IEC/CEE connectors are now tested and certified under the international standard IEC 60 309, which has been developed in the IEC standardisation organisation (International Electrotechnical Commission). This worldwide standard is systematically applied to all GARO products. The use of this standard eliminates the possibility of incorrect connections, regardless of the circumstances.

The standardised products are colour-coded according to a clock face, where the clock positions (1 to 12) correspond to the earth socket position in the socket, viewed from the front, with the locating groove always at the 6 o'clock position. Each position corresponds to a voltage and frequency value of each 2, 3 and 4 pole socket with rated currents of 16A, 32A, 63A and 125A and voltages of >50V to 690V.



GARO plugs and sockets are tested and certified and comply with the following international and national standards, among others:

IEC 60 309-2, IEC 60 309-1, SS EN 60309-1, SS EN 60309-2, CEE17, SEMKO 117, VDE 0623, BS 4343, EN 50 250



Dokument/document Försäkran om överensstämmelse/ Declaration of conformity		Utgava datum/edition date 2013-02-04
Avdelning/department Kvalite/Quality		
Ansvarig/prepared Magnus Arvidsson	Version 4	Sida/page 1 av/of 1

Supplier/Tillverkare: **GARO AB**
Box 203
S-335 25 GNOSJO
Sweden
Telephone: +46 (0)370 33 28 00
Telefax: +46 (0)370 33 28 50

Supplier established within EU/Ombud etablerad inom EG
Telephone:
Telefax:

Supplier of equipment /Materielslag : Industrial Socket Outlet / Don

Trade Mark/ Varumärke: GARO

Type Designation / Typbeteckning: UBB , URBB , UBC , URBBV ...,216-... , 316-... , 416-... , 232-... , 332-... , 432-... , 263-... , 363-... , 463-..., 2125 ... , 3125 ... , 4125-... and/och

We hereby declare that our product fulfils the requirements of following EC directives/
Vi intygar härmed att vår produkt uppfyller krav enligt följande EU direktiv:

- The Low Voltage Directive (LVD) 2014/35/EU I Lågspänningsdirektivet (LVD) 2014/35/
- Electromagnetic compatibility (EMC) 2004/108/EU / Elektromagnetisk kompatibilitet (EMC) 2004/ 108/EG.
- RoHS Directive (RoHS) 2011/65/EU / RoHS direktivet (RoHS) 2011/65/EG.
- No electromagnetic compatibility (EMC) immunity or emission tests are required on the assembly/
Produkten innehåller inte elektroniska apparater som påverkas enligt förbehållen enligt direktivet (EMC) 2004/108/EG.

The following harmonised standards (latest edition) or technical specifications which comply with good engineering practice in safety matters in force within the EU have been used in the design:/
Följande harmoniserade standarder (senaste utgåva) eller tekniska specifikationer som uppfyller god säkerhetsteknik praxis inom EG har använts i konstruktionen: EN 60309-1 and / och EN 60309-2

The equipment conforms completely with the above stated harmonised standards or technical specifications./
Materielen överensstämmer helt med ovan angivna harmoniserade standarder eller tekniska specifikationer.

Or/eller

- The equipment confirms only partially with the above stated harmonised standards or technical specifications but complies with good practice in safety matters in force within the EU./
Materielen överensstämmer endast delvis med ovan angivna harmoniserade standarder eller tekniska specifikationer, men uppfyller god säkerhetsteknik praxis inom EG.

We have product surveillance according to CENELEC's harmonised requirements, documents CCA-201.

Garo AB
Company/Företag

Sign/Underskrift

2016-06-29
Date/Datum

Environmental- and Quality Manager/Kvalitets- och Miljöchef
Position/Befattning

Magnus Arvidsson
Name / Namnförtydligande