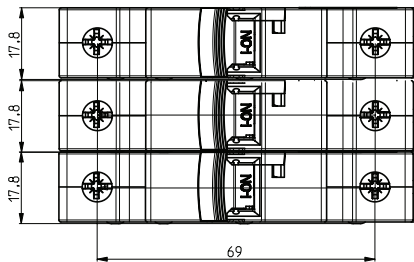
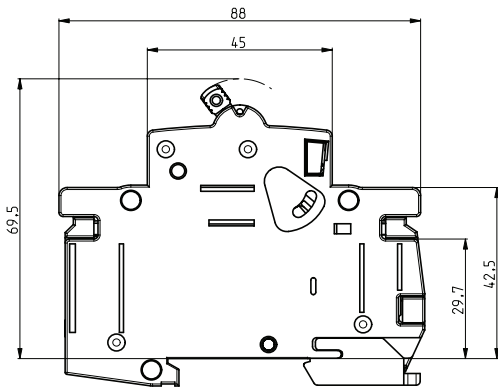




## MCB 6kA 3 Pole B Characteristic

Type: MCBGRB3...



### Technical data

Rated current	6 - 63A
Rated voltage	230/400 V AC, 60V DC
Frequency	50/60 Hz
Rated short-circuit capacity	6 kA
Tripping characteristic	B
Shock resistance	30g.min. 2 shocks, t=13mins
Back-up fuse	100A gG
Degree of protection	IP20
Terminals	1-25mm <sup>2</sup> , max 2.5Nm
Built-in width..mm	18 (per pole)
Height..mm	90
Depth..mm	75
Net weight	0.33
Ambient temperature (C)	-25.....+55
Storage temperature (C)	-35.....+55
Overvoltage category	III
Sealing possibility	YES
Electrical endurance (op. c.)	10,000
Mechanical endurance (op. c.)	20,000
Terminal cover	Available
Locking device	Available
Mounting on the rail	EN 60715
Standards	EN 60898, IEC 60898

### Tripping characteristics

Characteristic	Test current	Tripping time	Result	Result
B, C	1,13I <sub>n</sub>	t ≥ 3600 s		No tripping
B, C	1,45I <sub>n</sub>	t < 3600 s		Tripping
B, C	2,55I <sub>n</sub>	1s < t < 60 s		Tripping
B	3,00I <sub>n</sub>	t ≤ 0,1 s		No tripping
C	5,00I <sub>n</sub>	t ≤ 0,1 s		No tripping
B	5,00I <sub>n</sub>	t ≤ 0,1 s		Tripping
C	10,00I <sub>n</sub>	t ≤ 0,1 s		Tripping



Dokument/document		Utgava datum/edition date
Försäkran om överensstämmelse/ Declaration of conformity		29/06/2016
Avdelning/department Kvalite/Quality		
Ansvarig/prepared Magnus Arvidsson	Version 5	Sida/page 1 av/of 1

Supplier/Tillverkare: **GAROAB**  
Box 203  
S-335 25 GNOSJO Telephone: +46 (0)370 33 28 00  
Sweden Telefax: +46 (0)370 33 28 50

Supplier established within EU/Ombud etablerad inom EG :

Supplier of equipment /Materielslag : Miniature Circuit Breaker / Dvtirgbrytare

Trade Mark/ Varumärke: GARO

Type Designation / Typbeteckning: MCBGR-..., GCB-..., MCBGS-.. and / och MCB GQ-..

We hereby declare that our product fulfils the requirements of following EC directives/  
Vi intygar härmed att vår produkt uppfyller krav enligt följande EU direktiv:

- The Low Voltage Directive (LVD) 2014/35/EU / Lågspänningsdirektivet (LVD) 2014/35/EU.
- Electromagnetic compatibility (EMC) 2004/108/EU / Elektromagnetisk kompatibilitet (EMC) 2004/ 108/EG.
- RoHS Directive (RoHS) 2011/65/EU / RoHS direktivet (RoHS) 2011/65/EG.
- No electromagnetic compatibility (EMC) immunity or emission tests are required on the assembly/  
Produkten innehåller inte elektroniska apparater som påverkas enligt förbehållen enligt direktivet  
(EMC) 2004/108/EG.

The following harmonised standards (latest edition) or technical specifications which comply with good engineering practice in safety matters in force within the EU have been used in the design: /

Följande harmoniserade standarder (senaste utgåva) eller tekniska specifikationer som uppfyller god säkerhetsteknik praxis inom EG har använts i konstruktionen: EN 60898-1

- The equipment conforms completely with the above stated harmonised standards or technical specifications. /  
Materielen överensstämmer helt med ovan angivna harmoniserade standarder eller tekniska specifikationer.

Or/eller

- The equipment confirms only partially with the above stated harmonised standards or technical specifications but complies with good practice in safety matters in force within the EU. /  
Materielen överensstämmer endast delvis med ovan angivna harmoniserade standarder eller tekniska specifikationer, men uppfyller god säkerhetsteknik praxis inom EG.

We have product surveillance according to CENELEC's harmonised requirements, documents CCA-201.

Garo AB  
Company/Företag

2016-06-29  
Date/Datum

Sign/Underskrift

Environmental- and Quality Manager/Kvalitets- och Miljöchef  
Position/Befattning

Magnus Arvidsson  
Name / Namnförtydligande