

SHOWER BOARDS: CV12-NPST



Non-Priority Shower

Board CV12-NPST

Garo Shower Boards are designed to facilitate the use of two electric showers which are being supplied from a domestic 63A single phase supply. Both showers may continually use <3kW of power each, however, when one exceeds this power use the Board will automatically cut the power to the second shower thus protecting the main supply fuse. This model also includes a timer with a 5 minute and 10 minute function to limit the shower run time.

TECHNICAL DATA

- Degree of protection IP40
- Resistance to impact IK08
- Auto-extinguishing HB (UL94) degree
- Test of resistance to glow wire 650° C
- Ball pressure test 70° C

According to 2006/95/CE directive and EN 61439-1 and UNE-EN 61439-3 norms on affected parts.

40A 1/P CONTACTOR
SHOWER NO.1
FEED TO BE CONNECTED

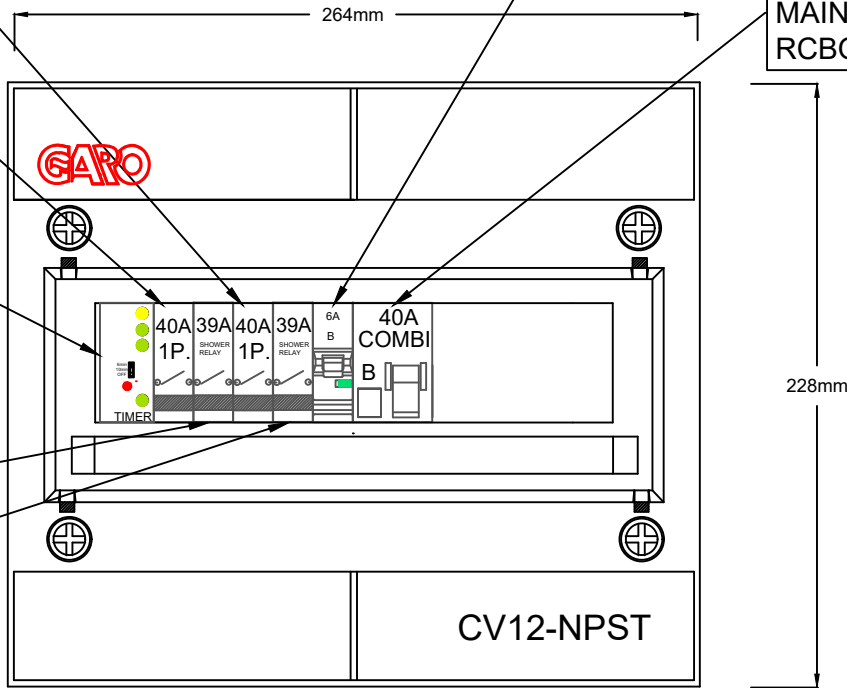
40A 1/P CONTACTOR
SHOWER NO.2
FEED TO BE CONNECTED

6 Min / 10 Min
Shower Timer

CONTROL
6A S/P MCB

MAIN 40A
RCBO

LOAD SHEDDING RELAYS
UP TO 39A
REQUIRE 11-12 AMPS TO OPERATE



NOTES:

BOTH SHOWERS MUST BE DRAWING OVER 3KW FOR LOAD RELAY TO OPERATE.

BOTH SHOWER NEUTRALS TO BE CONNECTED TO MAIN NEUTRAL BAR

MAINS CABLE TO BE CONNECTED TO THE BOTTOM OF 40A RCBO

						=
						+
NO	DESCRIPTION	DATE	NAME	CHECK	APPD	

PROJECT
Non-Priority Shower Board
c/w Timer

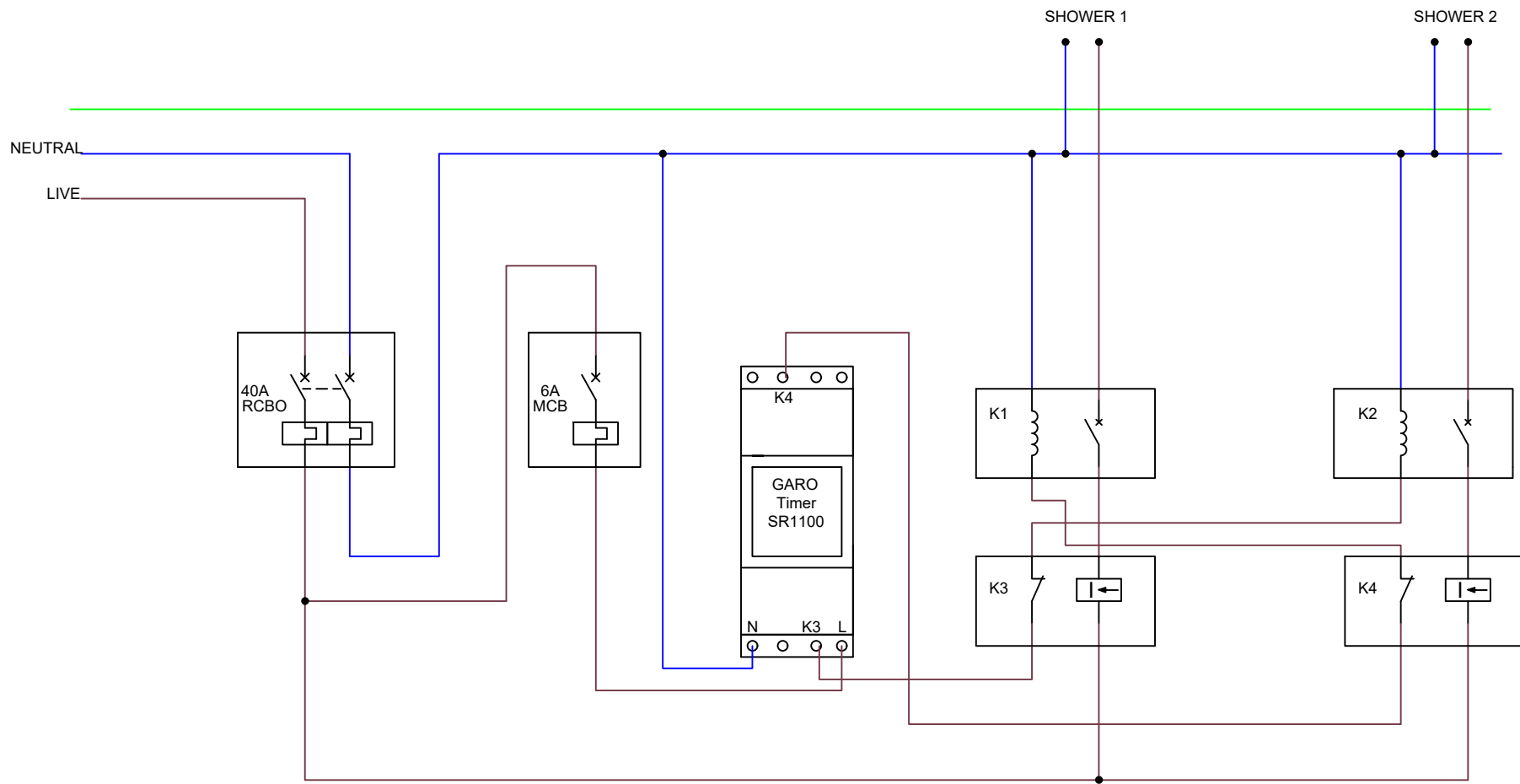


Unit 19 / 307
Northwest Business park
Ballycoolin
Dublin 15

DRAWING No.
CV12-NPST

SHEET
-1

PROJECT No



- K1 - 40A 1/P CONTACTOR (SHOWER NO.1)
- K2 - 40A 1/P CONTACTOR (SHOWER NO.2)
- K3 - CURRENT SENSING RELAY (SHOWER NO.1)
- K4 - CURRENT SENSING RELAY (SHOWER NO.2)
- ****NOTE: UNITS MUST BE DRAWING AT LEAST 11-12 AMPS TO OPERATE
- TIMER HAS 3 FUNCTIONS - 6 MIN, 10 MIN, OFF

						=
						+
NO	DESCRIPTION	DATE	NAME	CHECK	APPD	

PROJECT
 Non-Priority Shower Board
 c/w Timer
 Wiring Diagram



DRAWING No. CV12-NPSTSLD	SHEET -2
PROJECT No	