

## DATA SHEET: TEMBREAK 2 GS160-SCJ MCCB

MCCB Electrical Characteristics to IEC 60947-2, EN 60947-2, JIS C 8201-2-1 ANN.1, NEMA AB-1

Frame Reference	Quantity	Unit	Condition	<b>TB2 Lite 160</b>
Max in (A) of Frame				160
Model				S160
Number of Poles				3, 4
Type				SCJ
<b>Nominal current ratings</b>				
	$I_n$	(A)	50°C	25,40,63,80 100,125,160
<b>Electrical characteristics</b>				
Rated operational voltage	$U_e$	(V)	AC 50/60 Hz DC	525 250
Rated insulation voltage	$U_i$	(V)		690
Rated impulse withstand voltage	$U_{imp}$	(kV)		8
Ultimate breaking capacity (IEC, JIS, AS/NZS)	$I_{cu}$	(kA)	690V AC	-
			525V AC	7.5
			440V AC	15
			400/415V AC	25
			220/240V AC	35
250V DC	20			
Service breaking capacity (IEC, JIS, AS/NZS)	$I_{cs}$	(kA)	690V AC	-
			525V AC	4
			440V AC	7.5
			400/415V AC	13
			220/240V AC	18
250V DC	10			
Rated breaking capacity (NEMA)		(kA)	480V AC 240VAC	7.5 35
<b>Protection</b>				
Fixed thermal, fixed magnetic				-
Adjustable thermal, fixed magnetic				■
Utilisation category				A
<b>Installation</b>				
Front connection (FC)				■
Extension bar (FB)				•
Cable clamp (FW)				■ ①
Rear connection (RC)				•
Plug-in (PM)				-
DIN rail mounting (DA)				•
Dimensions	height	(mm)		130
	width	(mm)	3 pole, (1 pole) 4 pole	75 100
Weight	depth	(mm)		68
	weight	(kg)	3 pole, (1 pole) 4 pole	0.8 1.0
<b>Operation</b>				
Direct Opening Action				■
Toggle operation				■
Door mounted (HS) / Breaker mounted handle (HB)				•
Motor operation				-
Endurance	Electrical	cycles cycles	415V AC	10,000② 20,000

■ Standard    • Optional    - Not Available

① Factory-fit at time of order

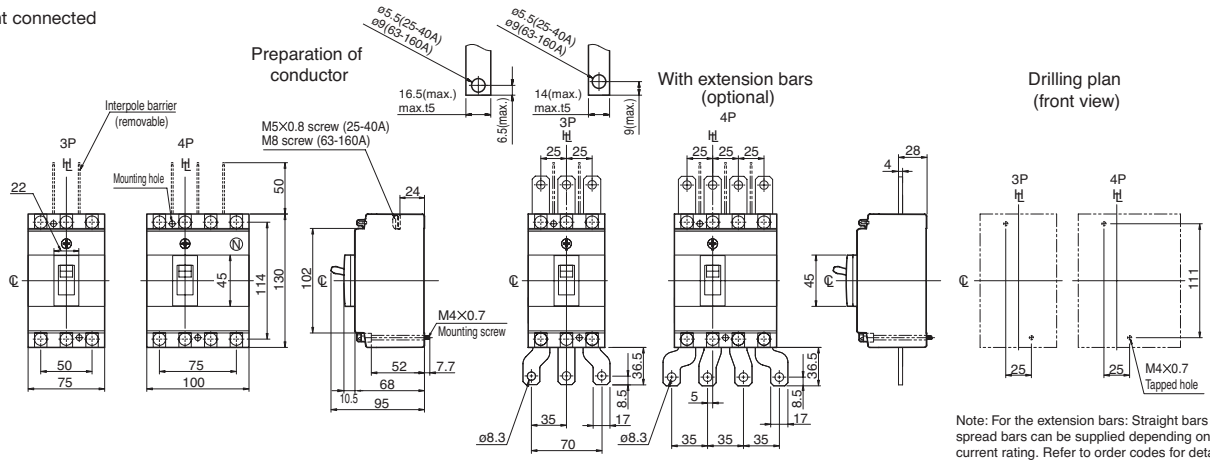
② 14,000 ≤125A

# DATA SHEET: TEMBREAK 2 GS160-SCJ MCCB

## Outline Dimensions GS160-SCJ

ASL: Arrangement Standard Line H: Handle Frame Centre Line C: Handle Centre Line

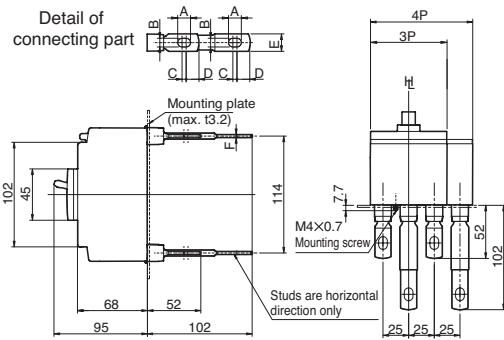
Front connected



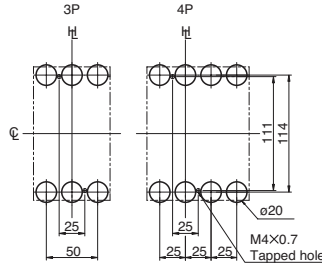
Note: For the extension bars: Straight bars or spread bars can be supplied depending on current rating. Refer to order codes for details.

Rear connected

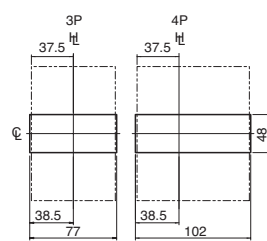
Detail of connecting part



Drilling plan (front view)

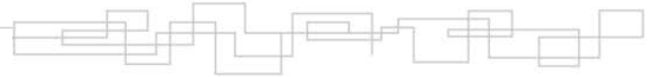


Panel cutout (front view)



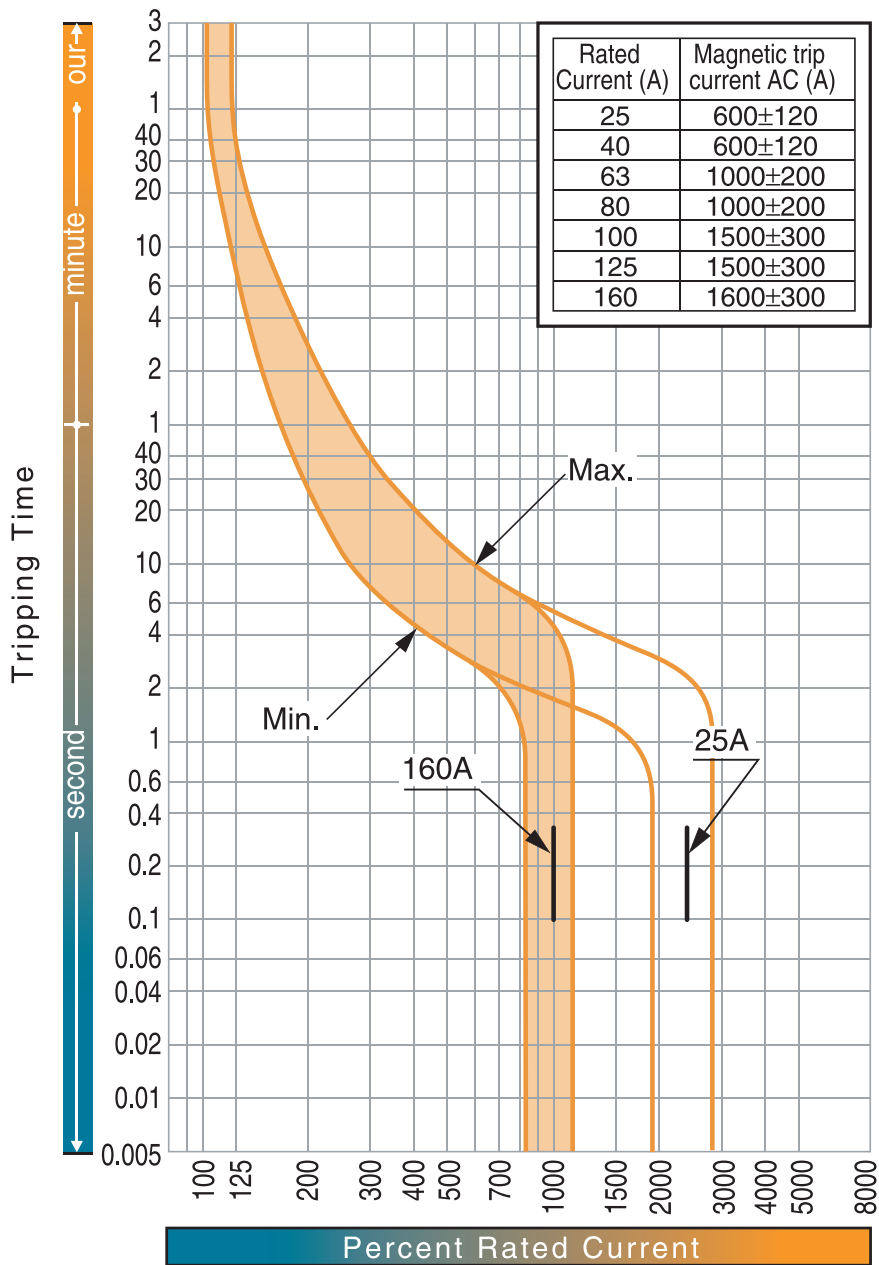
Rated current (A)	A	B	C	D	E	F
16-50	10.5	6.5	4	13	16	4
63-160	12.5	8.5	4	13	16	5

Panel cutout dimensions shown give an allowance of 1.0mm or more around the handle escutcheon.



# DATA SHEET: TEMBREAK 2 GS160-SCJ MCCB

Time/Current Characteristic Curves  
GS160-SCJ





Dokument/document Försäkran om överensstämmelse/ Declaration of conformity		Utgåva datum/edition date 2018-08-22
Avdelning/department Produkt/Product		
Ansvarig/prepared Robert Nydén	Version 5	Sida/page 1 av/of 1

**Manufacturer/Tillverkare:** GARO AB  
Box 203  
S-335 25 GNOSJÖ  
Sweden

Telephone: +46 (0)370 33 28 00  
Internet: www.garo.se

**Agent established within EC/Ombud etablerad inom EG**

Telephone:  
Internet:

**Agent of equipment/Materielslag:** Moulded Case Circuit Breaker, MCCB/Effektbrytare, MCCB

**Trade Mark/Varumärke:** GARO

**Type Designation/Typbeteckning:** GS160SCJ , SJ ,GS400-NE, 3- and 4-pole, GS250-NE, 3- and 4-pole

**We hereby declare that our product fulfils the requirements of following EC directives/**

Vi intygar härmed att vår produkt uppfyller krav enligt följande EU direktiv:

- The Low Voltage Directive (LVD) 2014/35/EU / Lågspänningsdirektivet (LVD) 2014/35/EU.**
- Electromagnetic compatibility (EMC) 2014/30/EU / Elektromagnetisk kompatibilitet (EMC) 2014/30/EU.**
- Radio Equipment Directive 2014/53/EU (RED) 2014/30/EU / Radiodirektivet (RED) 2014/53/EU.**
- RoHS Directive (RoHS) 2011/65/EU / RoHS direktivet (RoHS) 2011/65/EU.**
- No electromagnetic compatibility (EMC 2014/30/EU) immunity or emission tests are required on the assembly /** Produkten innehåller inte elektroniska apparater som påverkas enligt förbehållen enligt direktivet (EMC) 2014/30/EU.

**The following harmonised standards (latest edition) or technical specifications which comply with good engineering practice in safety matters in force within the EC have been used in the design:/**

Följande harmoniserade standarder (senaste utgåva) eller tekniska specifikationer som uppfyller god säkerhetsteknik praxis inom EG har använts i konstruktionen: **EN 60947-1 and/och 60947-2**

- The equipment confirms completely with the above stated harmonised standards or technical specifications./** Materielen överensstämmer helt med ovan angivna harmoniserade standarder eller tekniska specifikationer.

**Or/Eller**

- The equipment confirms only partially with the above stated harmonised standards or technical specifications but complies with good practice in safety matters in force within the EC./** Materielen överensstämmer endast delvis med ovan angivna harmoniserade standarder eller tekniska specifikationer, men uppfyller god säkerhetsteknik praxis inom EG.

**We have product surveillance according to CENELEC's harmonised requirements, documents CCA-201.**

GARO AB  
**Company/Företag**

2018-08-22  
**Date/Datum**

**Sign/Underskrift**

Product Manager/Produktchef  
**Position/Befattning**

Robert Nydén  
**Sign in printed letters/Namnförtydligande**