

SHOWER BOARDS: G13-3NPS



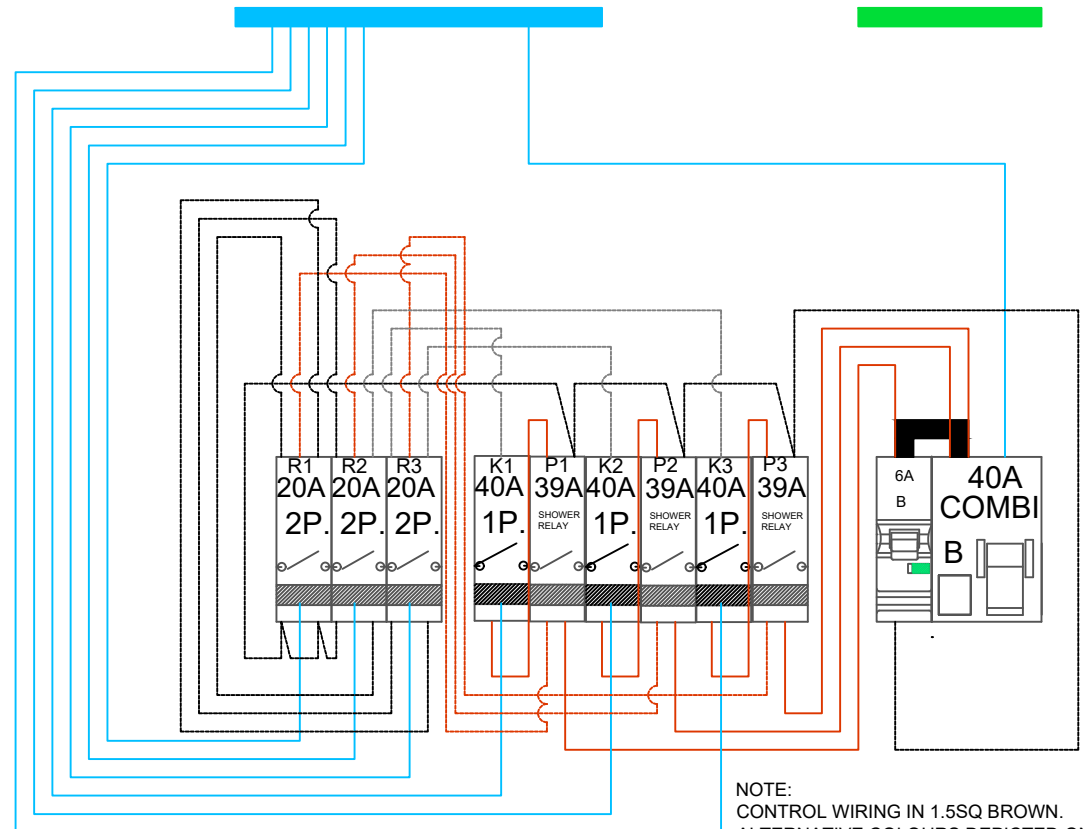
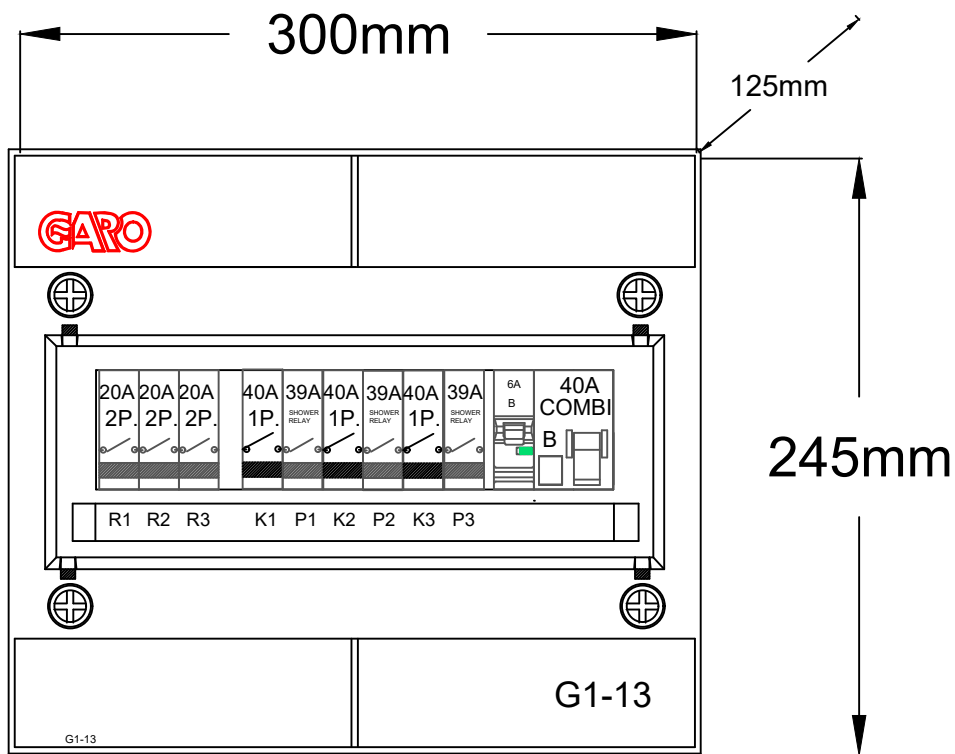
Non- Priority Shower Board G13-3NPS

Garro 3 way Shower Boards are designed to facilitate the use of three electric showers which are being supplied from a domestic 63A single phase supply. Both showers may continually use <3kW of power each, however, when one exceeds this power use the Board will automatically cut the power to the other showers thus protecting the main supply fuse.

TECHNICAL DATA

- Degree of protection IP31
- Resistance to impact IK08
- Auto-extinguishing degree HB (UL94)
- test of resistance to glow wire 650° C
- ball pressure test 70° C

According to 2006/95/CE directive and EN 61439-1 and UNE-EN 61439-3 norms on affected parts.



NOTE:
CONTROL WIRING IN 1.5SQ BROWN.
ALTERNATIVE COLOURS DEPICTED ON
SCHEMATIC FOR CLARITY ONLY

- K1 - 40A 1/P CONTACTOR (SHOWER NO.1) CONNECT SHOWER TO TERMINAL 1
- K2 - 40A 1/P CONTACTOR (SHOWER NO.2) CONNECT SHOWER TO TERMINAL 1
- K3 - 40A 1/P CONTACTOR (SHOWER NO.3) CONNECT SHOWER TO TERMINAL 1
- P1 - CURRENT SENSING RELAY (SHOWER NO.1)
- P2 - CURRENT SENSING RELAY (SHOWER NO.2)
- P3 - CURRENT SENSING RELAY (SHOWER NO.3)
- ****NOTE: SHOWERS MUST BE DRAWING AT LEAST 11-12 AMPS FOR RELAYS TO OPERATE
- R1, R2, R3 - INTERLOCKING CONTACTORS

NO	DESCRIPTION	DATE	NAME	CHECK	APPD

PROJECT
3 Shower Non-Priority Board

Unit 19 / 307
Northwest Business park
Ballycoolin
Dublin 15

DRAWING No. G13-3NPS	SHEET -1
PROJECT No	